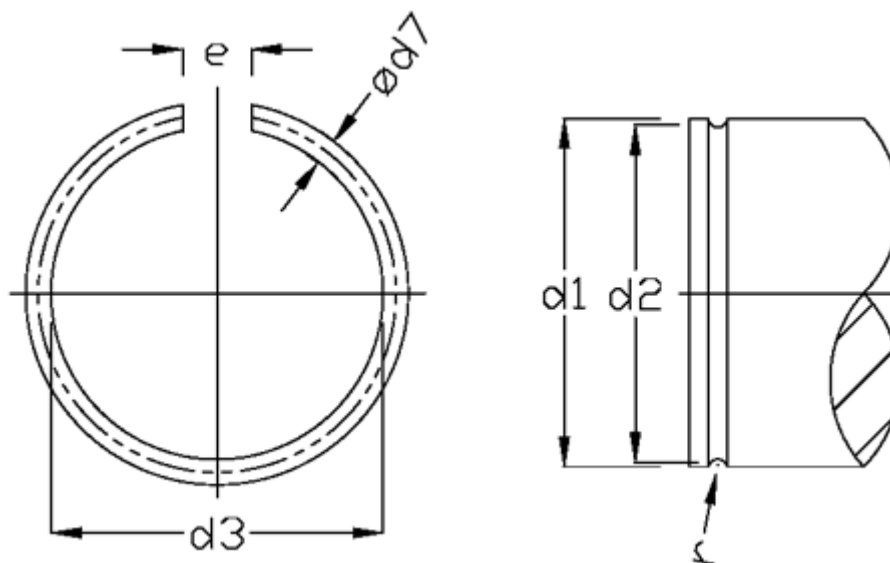


Article number: 0128039

Description: Circlip RW 22 DIN 7993

## Measures



d1	= 22	tol	= 0.10
d2	= 20.0	tol	= -0.5
d3	= 19.7	Weight kg/1000 = 1.600	
d7	= 2.0		
Description	= RW 22		
e	= 3		
n abl x 1000	= 15		
r	= 1.1		